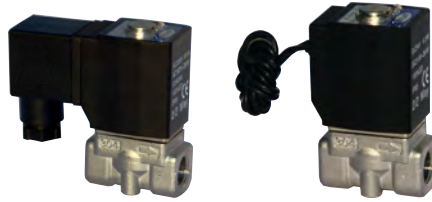


# Fluid control valve(2/2way)

## 2L Series (Direct-acting and normally closed )



### Ordering code

Ordering code of valves

**2L H 030 08 A □ T**

① ② ③ ④ ⑤ ⑥ ⑦

① Model	② Pressure condition	③ Size series	④ Port size	⑤ Voltage	⑥ Electrical entry	⑦ Thread type
2L: 2/2 way direct-acting and normally closed	H: High pressure Blank: Standard	030: 030 Series	06: 1/8" 08: 1/4"	A: AC220V B: DC24V C: AC110V E: AC24V F: DC12V	Blank: Terminal I: Flying leads[Note]	T: NPT
		050: 050 Series	10: 3/8" 15: 1/2"			

[Note]: The wire length is 0.5m.

### Ordering code of accessories

Ordering code of accessories is the same as 2S series valve's, Please refer to P205 for details of ordering code.

## Specification

Model\Item	Port size [Note1]	Orifice size (Φmm)	Cv	Valid area or section (mm <sup>2</sup> )	Weight [Note2](g)	Max.operating pressure differentia		Proof pressure	
						MPa	psi	MPa	psi
2LH030	-06 1/8"	2.0	0.18	3.0	300	2.0	300	3.0	450
	-08 1/4"				290				
2L030	-06 1/8"	3.0	0.33	6.0	300	1.0	150		
	-08 1/4"				290				
2LH050	-10 3/8"	4.0	0.55	10.0	600	2.0	300		
	-15 1/2"				590				
2L050	-10 3/8"	5.0	0.83	15.0	600	1.0	150		
	-15 1/2"				590				

[Note1] NPT thread is available.

[Note2] The weight in the table is the terminal valve's weight, 2L030 series Flying leads valve's weight is 10g less than terminal's.

2L050series Flying leads valve's weight is 20g less than terminal's.

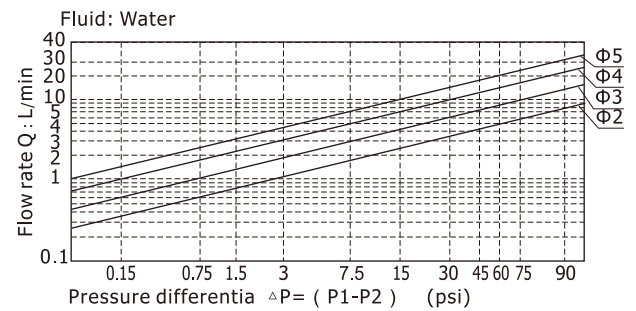
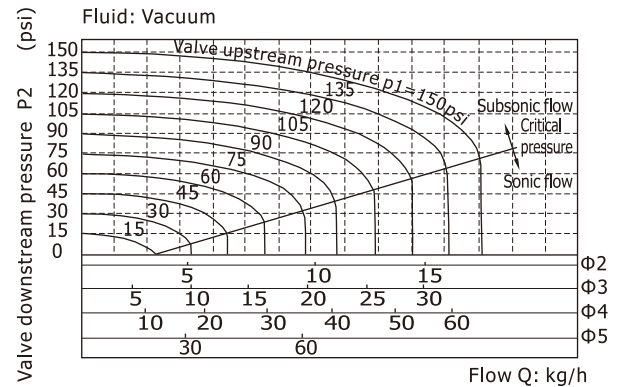
# Fluid control valve(2/2way)

## 2L Series (Direct-acting and normally closed )

### Product feature

1. Direct acting and normally closed type 2/2 way solenoid valve.  
Its high sensibility allows it to change direction quickly;
2. It has wide pressure range, including standard high pressure (H) to choose from;
3. It is compact, small size and light weight.  
It is easy to install and dismantle.
4. The valve body is made of SUS304 . Its coil has a Heat resistance classification of Class H. The standard seal material is PTFE(Teflon) which is suitable for a variety of working medium such as water with high temperature and vapour.
5. The protection class of the coil is IP65 and there is a choice for Flying leads or terminal electrical entry .

### Flow chart



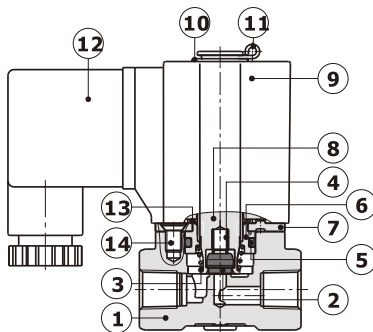
### Valve's specification

Acting		Direct acting			
Initial state		Normally closed			
Adaptable fluid		Steam, High temperature Water, Oil			
Viscosity limit		Under 20CST			
Ambient and fluid temperature(°C)		Oil	Water	Steam	Ambient
	Max.	150	150	183	100
	Min.	-10 [Note1]	1	-	-20

[Note1] 50CST or less.

### Inner structure

#### 2L030(Terminal)



No.	Item	No.	Item	No.	Item
1	Body	6	Fixed cap	11	E Clip
2	Airtight ring	7	Fixed plate	12	Connector
3	Spring	8	Movable core	13	Washer
4	Spring	9	Coil assembly	14	Screw
5	O-ring	10	Washer		

### Specification of coil

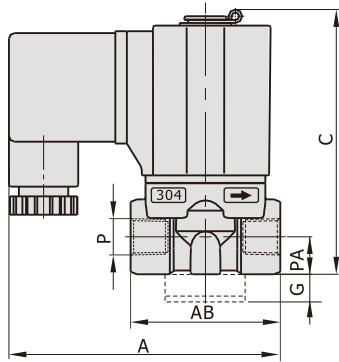
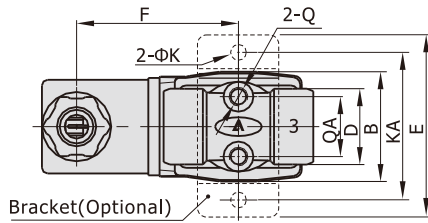
Valve type	Coil type	Power type	Frequency (Hz)	Voltage range	Power Consumption (VA/W)	Electrical entry	Insulation	Temp.rise (°C)		
2L□030	CDA116 CLA116	AC	50	±15%	10.0VA	Terminal (CDA) Flying leads (CLA)	Class H	35		
			60		8.0VA			30		
		DC	-	±10%	6.5W			30		
2L□050	CDA170 CLA170	AC	50	±15%	25.0VA			Terminal (CDA) Flying leads (CLA)	Class H	60
			60		22.0VA					55
		DC	-	±10%	12.0W					40

# Fluid control valve(2/2way)

## 2L Series (Direct-acting and normally closed )

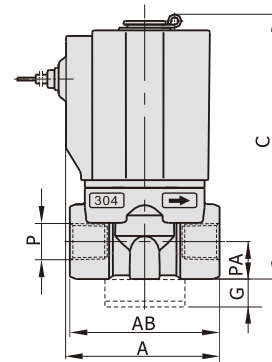
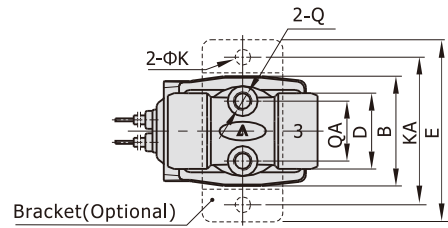
### Dimensions

#### 2L□030 (Terminal)

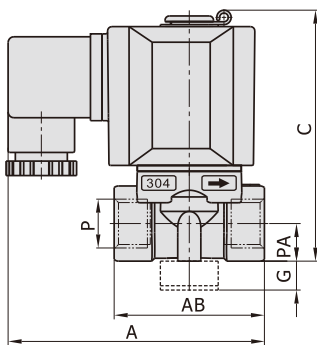
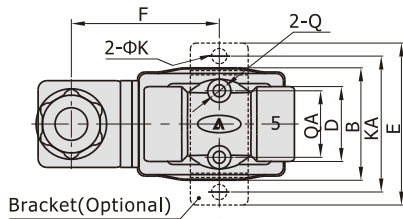


#### 2L□030(Flying leads)

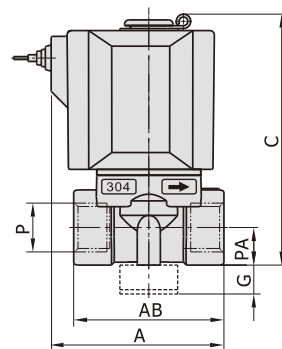
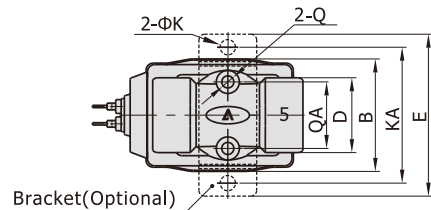
[Unit: mm]



#### 2L□050 (Terminal)



#### 2L□050(Flying leads)



Model\Item	A	AB	B	C	D	E	F	G	K	KA	P	PA	Q	QA
2L□030-06	72.5	40	29.5	71	20	49	43.5	10	5.3	40	1/8"	10	M5	16
2L□030-08	72.5	40	29.5	71	20	49	43.5	10	5.3	40	1/4"	10	M5	16
2L□050-10	89.5	52	39	87	26	56	51	10	5.3	48	3/8"	13	M5	23
2L□050-15	89.5	52	39	87	26	56	51	10	5.3	48	1/2"	13	M5	23

Model\Item	A	AB	B	C	D	E	G	K	KA	P	PA	Q	QA
2L□030-06	41	40	29.5	71	20	49	10	5.3	40	1/8"	10	M5	16
2L□030-08	41	40	29.5	71	20	49	10	5.3	40	1/4"	10	M5	16
2L□050-10	60	52	39	87	26	56	10	5.3	48	3/8"	13	M5	23
2L□050-15	60	52	39	87	26	56	10	5.3	48	1/2"	13	M5	23